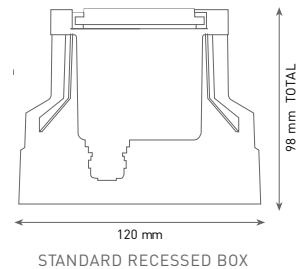


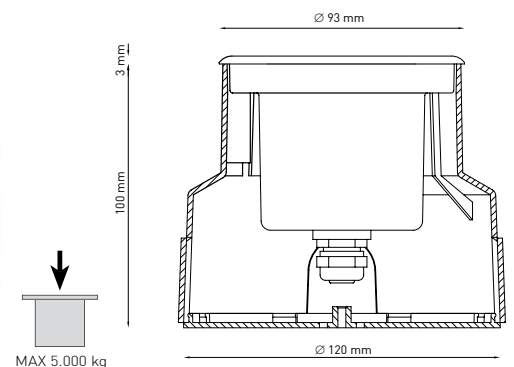


Hydrofloor Micro



201003 HYDROFLOOR MICRO PERFORMANCE LED **NEW**

- High-corrosion resistance die-cast aluminum body
- Polyester painting with phosphochromating pre-finish
- Stainless steel ring AISI 304 CD range
- Stainless steel screws
- Clear (or frosted) tempered glass
- CREE LED "XP-G2"
- **Electronic driver**
220/240V 50/60Hz included
- Silicone rubber gasket
- Max static weight resistance 1.000 Kg
- Protection against impact IK09 (10 joule)
- Cable gland PG9
- 1 m power cable included
- Polypropylene housing for recess included



1 WATT

190V... 250V/AC 50-60HZ

IP67 - CE

0,7 KG UNIT GROSS WEIGHT

LIGHT BEAM OPTIONS

- 10°
- 30°
- 45° (ON REQUEST)

BULB FEATURES

L.E.D.

LIGHT COLOURS

- 6000° K COLD WHITE
- 3000° K WARM WHITE
- BLUE

AVAILABLE COLOURS

- STAINLESS STEEL